

Talent I

(WiFi)

The Talent I Master LED Controller includes an easy to use remote control to adjust brightness, white balance and playback speed, and its exterior pre-set buttons allow for fast and simple programming. Highly energy efficient, and designed with four true-color tones, the Talent I Master Controller is compatible with a wide variety of different lamp types (including DMX512 lamps).



DIMMER FEATURES

BASIC FUNCTION

- Write address code and test whether the address code is correct.
- Online mode, you can make the programs and test them at the same time by your windows computer.
- Offline mode, you can use the remote controller or the buttons on the controller to switch to different programs.

EXTENSIONS

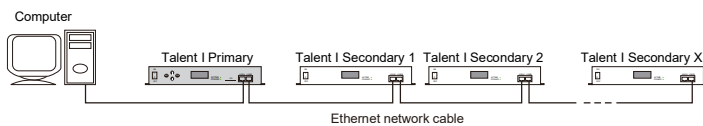
- WIFI function, use the Android phone to connect the wifi signal of Talent I, then open the android app to select different programs.
- 4G wireless network communication function, Just need to put a SIM card into the controller, then you can send messages to the controller to switch to different programs.

CONTROLLER OPTIONS LIST

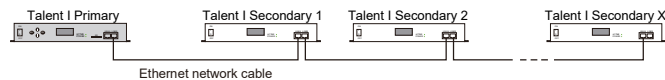
Model	Voltage	Max load current	Max power	Output signal	Working Temperature	Dimensions (L x W x H)
Talent I	100V-240VAC	2A(Max.)	15W(Max.)	DMX512	-30 ° C ~55 ° C	11.2 X5.3 X1.8in

WORKING MODE

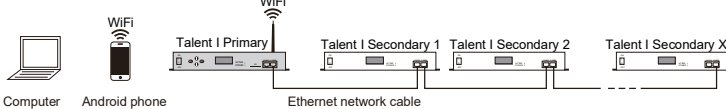
Online Mode



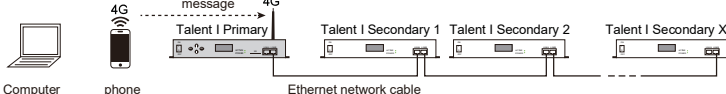
Offline Mode



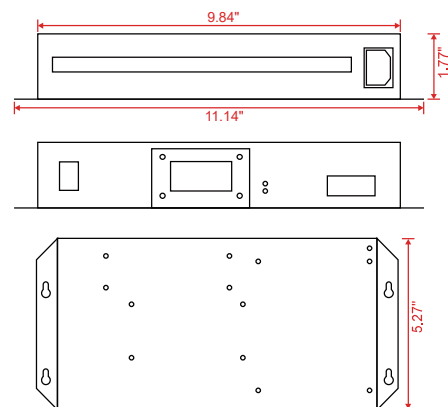
WiFi Mode



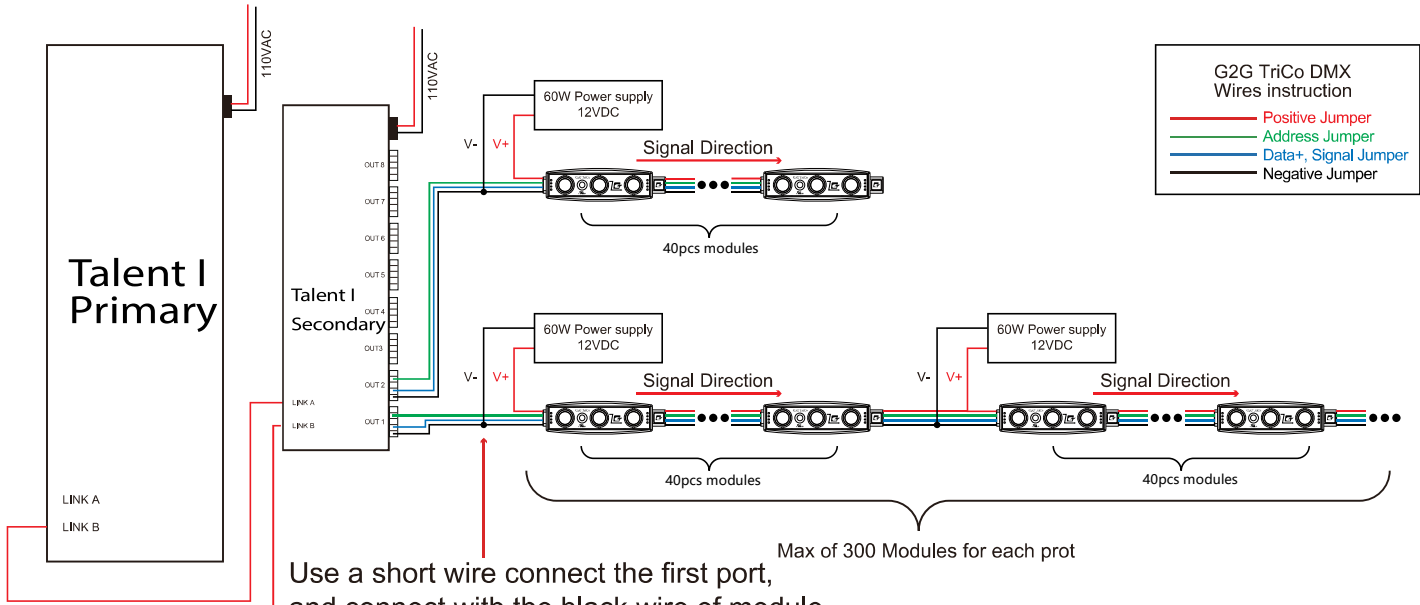
4G Mode



CONTROLLER DIMENSIONS

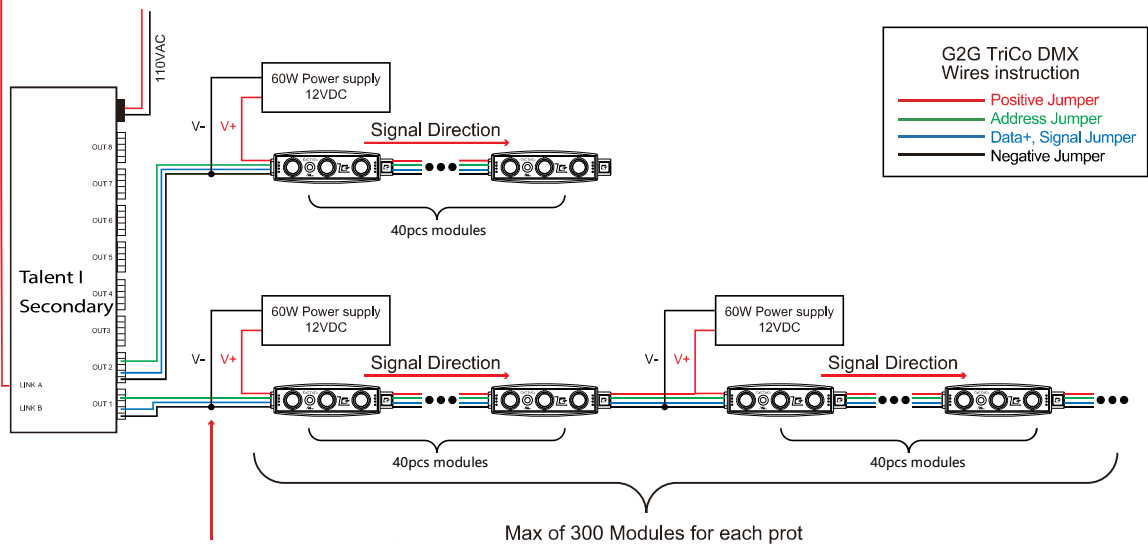


Use the same way to wire the OUT 3 to OUT 8



Use a short wire connect the first port, and connect with the black wire of module, then connect to the negative of the power supply

Max of 300 Modules for each prot



Use a short wire connect the first port, and connect with the black wire of module, then connect to the negative of the power supply

Max of 300 Modules for each prot

