

WiFi-300

G2G Lighting Products

Endless possibilities, all from the palm of your hand. G2G's WiFi 300 includes an easy to use handheld remote control which can be used with an iPhone™, iPod™, or iPad™ to control brightness and color, and to create a multitude of patterns and designs. Choose from thousands of shades of colors. For use with 5V- 24V single color digi-ribbon LED modules.



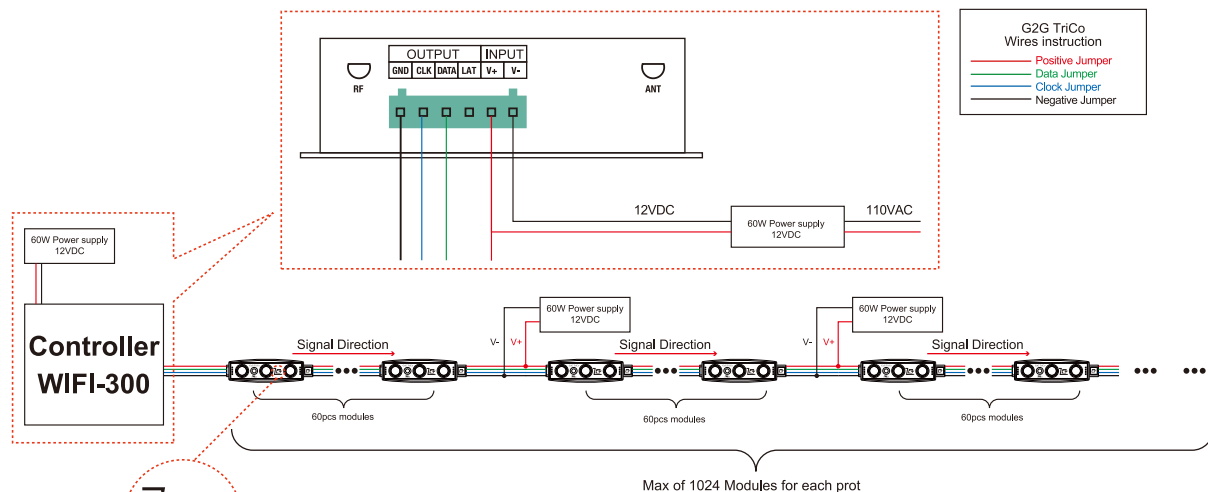
DIMMER FEATURES

- Easy to use App, downloadable free from the App Store™.
- For use with the iPhone™, iPod™ and iPad™ IOS4.1 systems and up.
- Compatible chips: LPD 1109, SM16716, LPD6803, LPD8803, WS2801, TM1803, TM1809.

CONTROLLER OPTIONS LIST

Model	Input Voltage	Max length	Max output power	Output signal	Working Temperature	Dimensions (L x W x H)	IC
WiFi-300	DC5V-DC24V	50FT(Max.)	100W(Max.)	SPI	-20° C ~60° C	5 x3.34 x1.23in	LPD6803/WS2801 TM1803/UCS1903 TM1809/ WS2811

INSTALLATION DIAGRAM



Please Note: the direction of the line connection
To connect the wire along the direction of the arrow